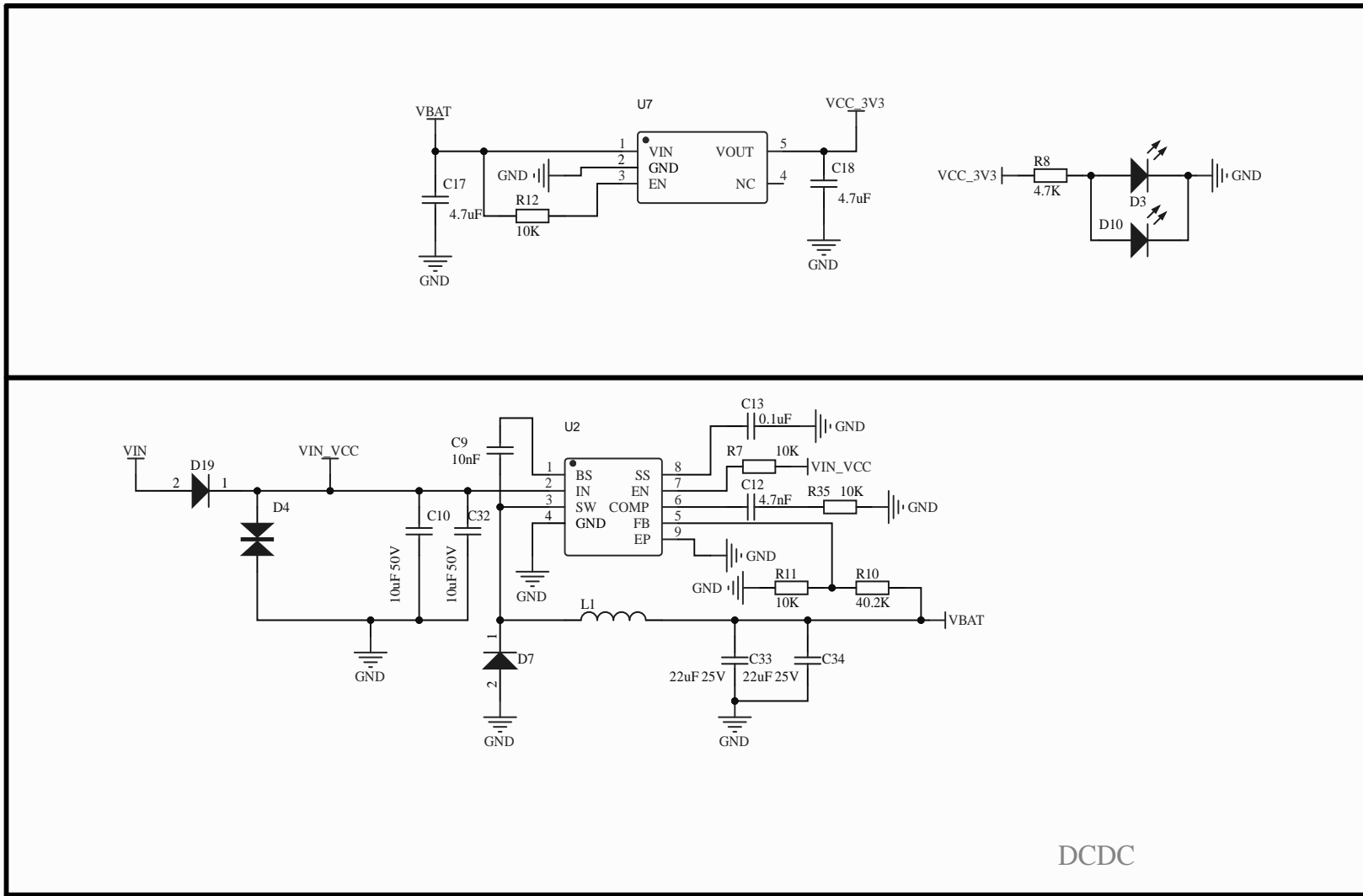
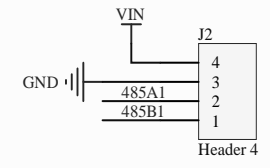
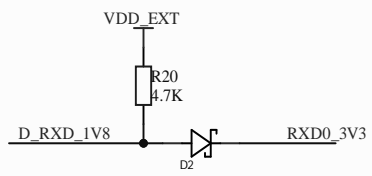
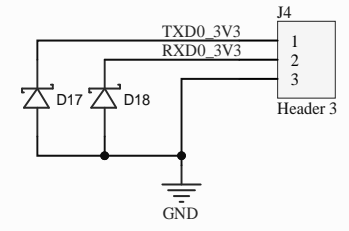
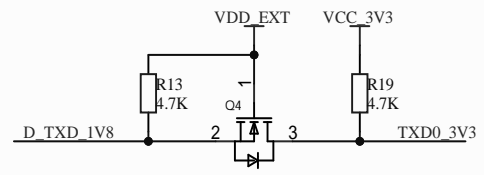
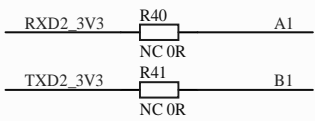
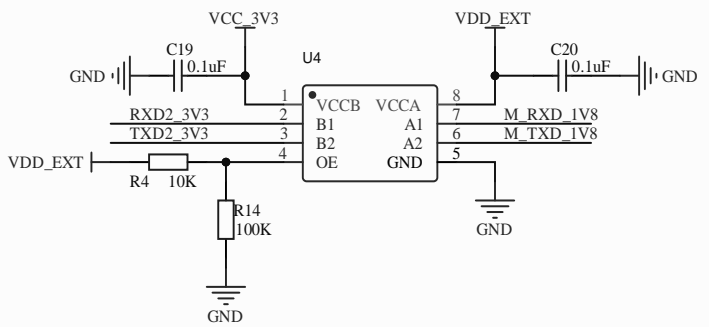


Title		
Size	Number	Revision
A3		
Date:	11/22/2024	Sheet of
File:	F:\EC800X.SchDoc	Drawn By:

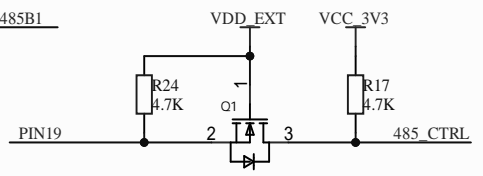
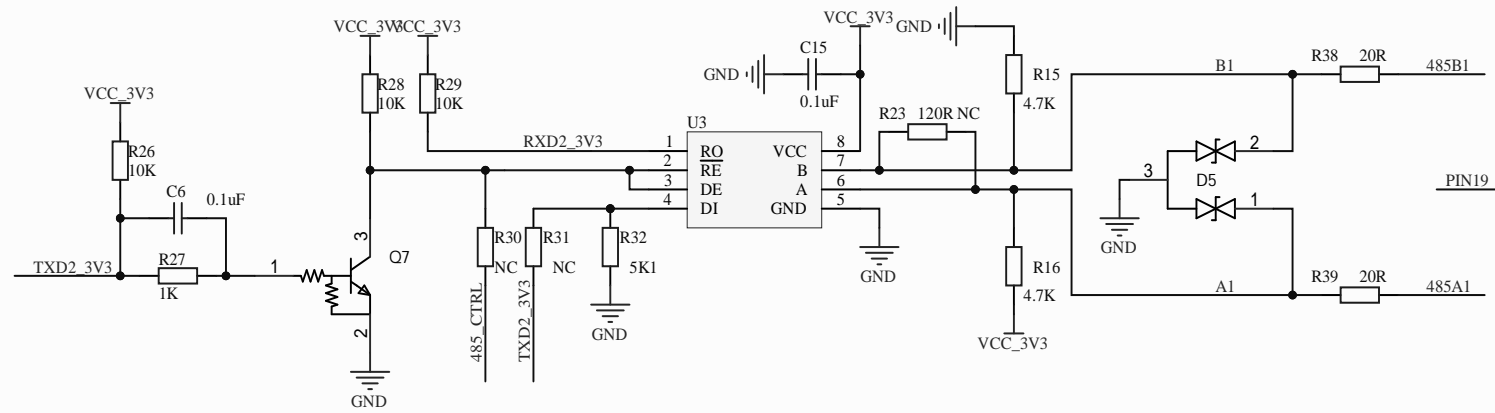


DCDC

Title		
Size	Number	Revision
A4		
Date:	11/22/2024	Sheet of
File:	F:\ 顯\...\POWER.SchDoc	Drawn By:

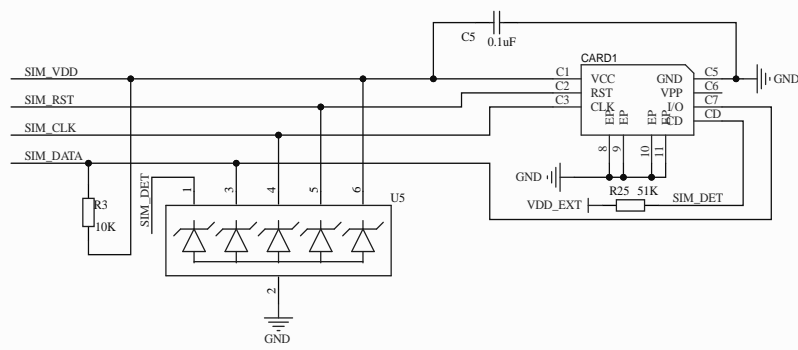


电平转换



RS485

Title		
Size	Number	Revision
A4		
Date:	11/22/2024	Sheet of
File:	F:\ 顯\ \RS3485.SchDoc	Drawn By:



NANO SIM

Title		
Size	Number	Revision
A3		
Date:	11/22/2024	Sheet of
File:	F:\...SIMCARD.SchDoc	Drawn By: